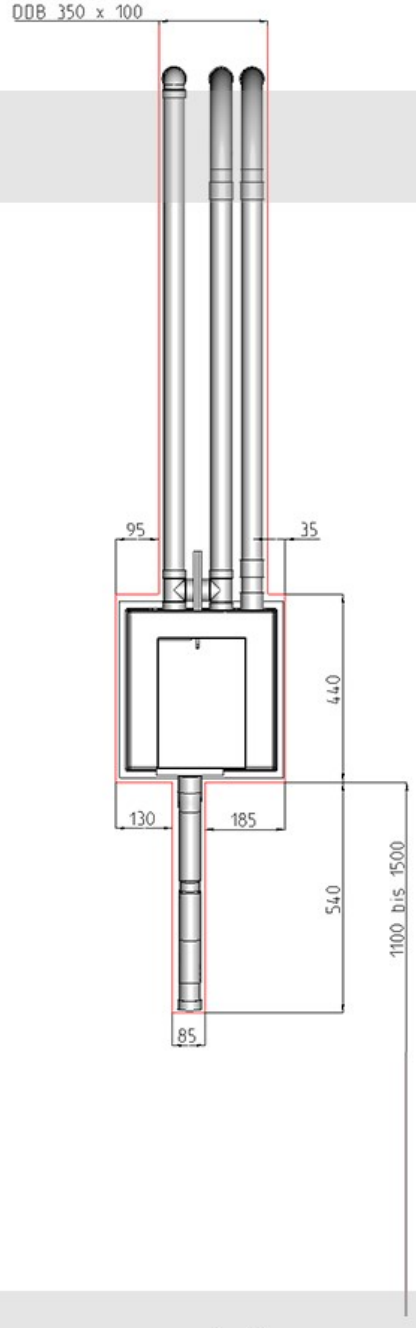
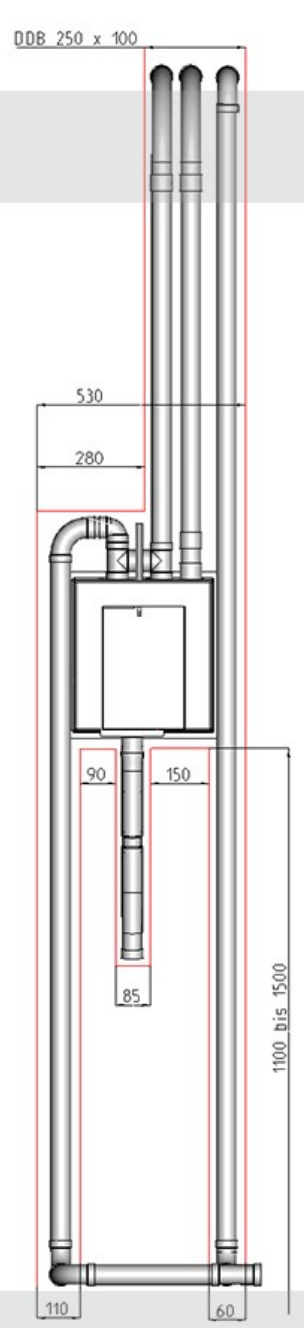


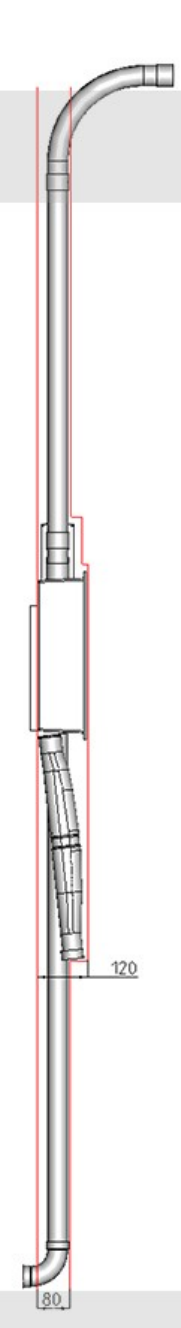
depot line upwards
suction line from below



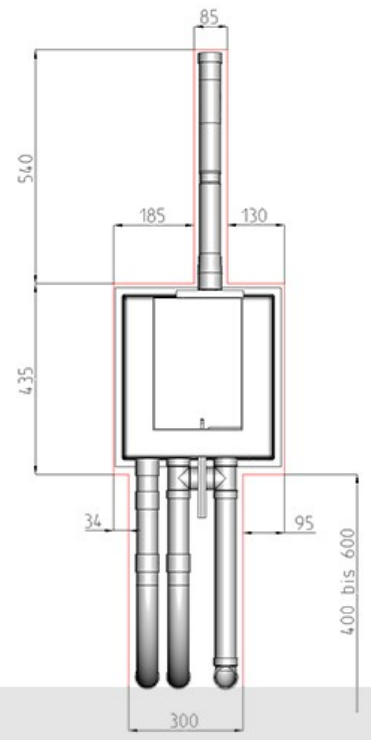
depot line upwards
suction line from above



depot line upwards
suction line from below and upwards



depot line downwards
suction line from below



— to stem

raw concrete ceiling

raw concrete floor